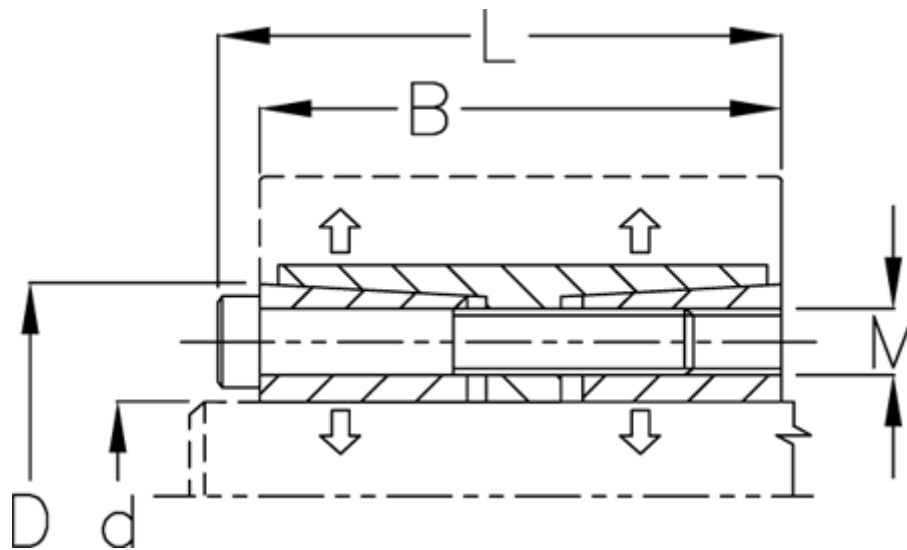


Article number: 439600130

Description: Rota-fix shaft-hub connection FS130x180

Note: Self centering - very high torque.

Measures



B mm	= 82
d H8 mm	= 130
D mm	= 180
Fit tolerance	= Aksel h8, Nav H8
F kN torque	= 545.0
L mm	= 94
M mm	= M12
P N/mm ² surface pressure on shaft/hub	= 149

Surface roughness	= R? ? 3.2 µm
T N m torque	= 35400
Ts N m bolt tightening torque	= 145.0